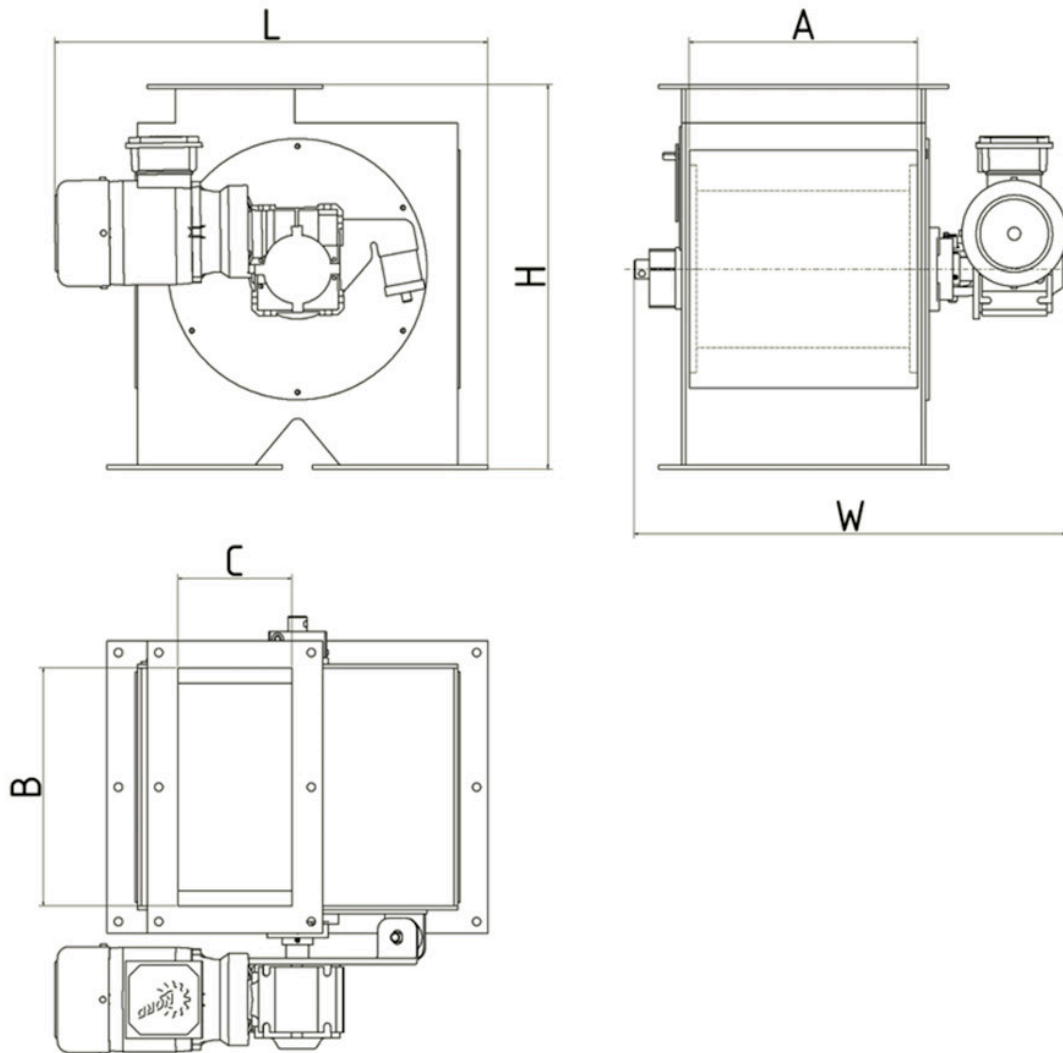


Datasheet MBZ 304 N 400



Model	Flow capacity (m ³ /h)	Weight (kg)	Dimensions (mm)					
			A	B	C	W	L	H
MBZ 304 N 300	25	150	300	310	200	610	720	700
MBZ 304 N 400	35	250	400	410	200	710	720	700
MBZ 304 N 500	45	300	500	510	200	810	720	700
MBZ 304 N 600	55	350	600	610	200	910	720	700
MBZ 304 N 700	65	400	700	710	200	1010	720	700
MBZ 304 N 800	75	450	800	810	200	1110	720	700
MBZ 304 N 900	85	500	900	910	200	1210	720	700
MBZ 304 N 1000	95	550	1000	1010	200	1310	720	700

MBZ 304 N 1100	105	600	1100	1110	200	1410	720	700
----------------	-----	-----	------	------	-----	------	-----	-----

Parameter name	Value
Description:	Magnetic drum in a housing
Separator placement:	under the conveyor belt, under the feeding hopper, inside of a pipeline
Application (= the material that the application of this separator is suitable for):	bulk material
Material flow direction):	vertical, horizontal
Recommended for the belt of max. width (across the conveyor belt) (mm):	400
Maximum effective reach of the magnetic field (mm):	30
Built-in standard magnet type:	neodymium magnet N35
Max. magnetic induction (G) on the surface of tube (+/- 10 %):	3300
Magnetic flux (G) on the magnetic core (+/- 10 %):	6000
Maximum capacity. The mentioned capacities are informative and non binding (m3/h):	35
Weight of the separator (kg):	250
Connecting dimension, inlet and outlet diameter of the separator (mm):	400
Standard connection of the separator:	square flange, suspension holes
Separator is suitable also even for the materials of poor bulk properties:	yes
Minimum size of the particles that can be captured by the separator (mm):	0.1
Maximum size of the particles that can be captured by the separator (mm):	50
Max. operating temperature (°C):	80
Min. surrounding ambient temperature (°C):	-25
Max. surrounding ambient temperature (°C):	45
Material of the sealing:	silicone + NBR
Separator is suitable for vacuum or pressure conveying lines:	no
Separator is suitable for materials transported by:	conveyor belt, gravity, pipeline
Separator is able to capture paramagnetic particles:	yes

Separator is suitable for abrasive materials (1 = strongly abrasive, 2 = slightly abrasive, 3 = non-abrasive):	2
Separator is suitable for materials that tend to solidify (the materials must be heated):	no
Separation of non-ferrous metals:	no
Standard requirements for the installation:	electricity supply corresponding with the motor parameters
Cleaning of the separator:	fully automatic cleaning, it is not necessary to interrupt the material flow during the cleaning
Material of the separator body (that is in contact with the material):	DIN 1.4301
ATEX (on request):	zone 21, 22
Outer surface treatment of the separator:	sandblasted
Inner surface treatment of the separator:	clean steel (no surface treatment) + sandblasted
Magnetic system:	magnetic drum
Motor brand:	Nord
Main motor input (kW):	0.37
Definition of the main motor electrical connection:	400 V, AC, 50 Hz, , PE-N, TN-C-S, circuite breaker 3F/32A
Available motor variants (the variant mentioned as the first is the standard one):	electric motor
Degree of motor protection (against dust and water):	IP55
Rotational speed of the engine (rev/min):	28
Bearings:	SNR
Availble lubrication methods for the bearings:	manual
Standard electrical equipment of the separator:	no external electric cable, no frequency convertor, no electric switchboard, wiring is terminated at the motor screw terminal
Options of the extended anti-abrasion protection:	chemical nickel coating, plastic coating, rubberizing, ceramic lining
Other standard parameters:	adjustable material distributor
Other additionally paid options:	device for manual setting of the position of the magnetic core, dust extraction opening, inner polishing
Max. operation time (hours/day):	24
Max. production time for a standard version (if not available in stock) (weeks):	8
Standard packing:	pallet + stretch wrap

Other packing modes (surcharged options):	wooden box, maritime packing according to clients needs
Warranty (months):	60
The guarantee does not apply to:	driveline, bearings, magnetic drum surface, wear parts (rubber dampers, seals)

This product can be delivered also in different dimensions, in the versions with a higher temperature resistance, different magnets etc. upon a special request. The mentioned capacity is only approximative and depends on the type of the cleaned material. The maximum effective reach of the magnetic field is measured from the surface of the magnetic drum. Maximum material limit (MMC): 50 x 50 x 50 mm