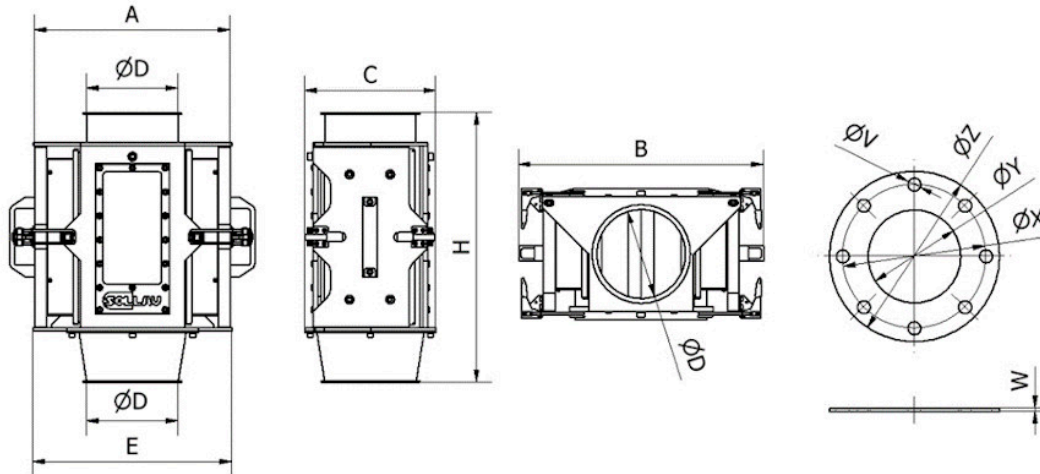


# Datasheet ML 100 N



Model	Max. flow capacity (m <sup>3</sup> /h)	Weight (kg)	Dimensions (mm)					
			A	B	C	ØD	E	H
ML 100 N	10	28	275	365	136	100	282	325
ML 120 N	30	40	300	390	150	125	307	435
ML 150 N	30	50	325	415	186	150	332	450
ML 200 N	75	78	375	465	236	200	382	510
ML 250 N	100	102	425	515	286	250	432	615
ML 300 N	150	136	475	565	336	300	482	675

## Dimensions of standard flanges

Flange type	Number of holes	Dimensions (mm)				
		V	W	X	Y	Z
DN 100	8	18	5	180	105,5	220
DN 125	8	18	5	210	130,5	250
DN 150	8	22	5	240	155,5	285
DN 200	8	22	8	295	205,5	340
DN 250	12	22	8	350	256	395
DN 300	12	22	10	400	306	445

Parameter name	Value
Description:	Chute magnet with manual cleaning

Separator placement:	inside of a pipeline
Application (= the material that the application of this separator is suitable for):	bulk material
Material flow direction):	vertical, horizontal
Built-in standard magnet type:	neodymium magnet N35
Max. magnetic induction (G) on the surface of tube (+/- 10 %):	7500
Maximum capacity. The mentioned capacities are informative and non binding (m <sup>3</sup> /h):	10
Weight of the separator (kg):	28
Connecting dimension, inlet and outlet diameter of the separator (mm):	100
Standard connection of the separator:	standard flange, JACOB flange
Separator is suitable also even for the materials of poor bulk properties:	yes
Minimum size of the particles that can be captured by the separator (mm):	0.5
Maximum size of the particles that can be captured by the separator (mm):	30
Max. operating temperature (°C):	80
Min. surrounding ambient temperature (°C):	-25
Max. surrounding ambient temperature (°C):	45
Material of the sealing:	silicone
Separator is suitable for vacuum or pressure conveying lines:	up to 1 bar
Separator is suitable for materials transported by:	pipeline
Separator is able to capture paramagnetic particles:	yes
Separator is suitable for abrasive materials (1 = strongly abrasive, 2 = slightly abrasive, 3 = non-abrasive):	2
Separator is suitable for materials that tend to solidify (the materials must be heated):	no
Separation of non-ferrous metals:	no
Cleaning of the separator:	manual cleaning (with easy cleaning system), it is necessary to interrupt the material flow during the cleaning
Material of the separator body (that is in contact with the material):	DIN 1.4301
ATEX (on request):	zone 21, 22

Outer surface treatment of the separator:	sandblasted, partially painted (RAL colour tone)
Inner surface treatment of the separator:	sandblasted
Magnetic system:	magnetic plate
Options of the extended anti-abrasion protection:	chemical nickel coating, plastic coating, rubberizing, ceramic lining, chromium plating
Other standard parameters:	sight glass
Other additionally paid options:	inner polishing
Max. operation time (hours/day):	24
Max. production time for a standard version (if not available in stock) (weeks):	8
Standard packing:	stretch wrap + cardboard box
Other packing modes (surcharged options):	wooden box, maritime packing according to clients needs
Warranty (months):	12

The mentioned flow capacity depends on the type of the cleaned material and is only approximative. This product can be delivered also in other dimensions, in versions with a higher temperature resistance and other kind of magnets etc. upon a special request.