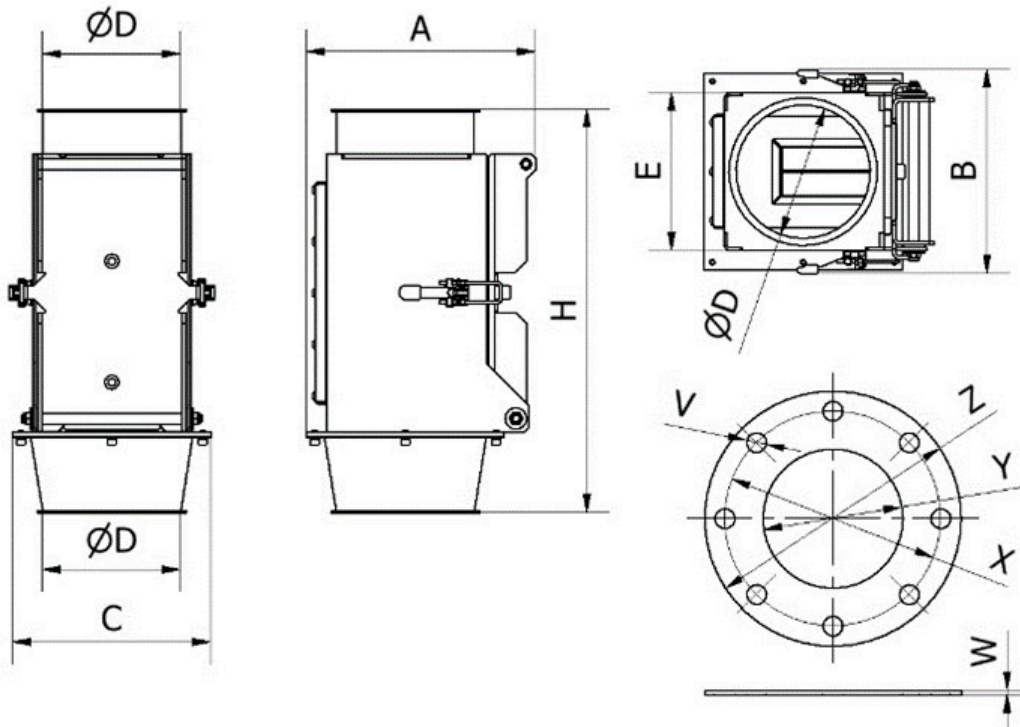


# Datasheet ML EKO 300 F



Model	Max. flow capacity (m <sup>3</sup> /h)	Weight (kg)	Dimensions (mm)					
			A	B	C	ØD	E	H
ML EKO 100 F	10	25	279	178	160	100	126	425
ML EKO 120 F	30	36	299	198	180	120	146	435
ML EKO 150 F	30	46	256	228	220	150	176	450
ML EKO 200 F	75	72	306	278	290	200	226	510
ML EKO 250 F	100	96	356	328	345	250	276	615
ML EKO 300 F	150	120	406	378	395	300	326	675

## Dimensions of standard flanges

Flange type	Number of holes	Dimensions (mm)				
		V	W	X	Y	Z
DN 100	8	18	5	180	105,5	220
DN 125	8	18	5	210	130,5	250
DN 150	8	22	5	240	155,5	285
DN 200	8	22	8	295	205,5	340
DN 250	12	22	8	350	256	395

DN 300	12	22	10	400	306	445
--------	----	----	----	-----	-----	-----

Parameter name	Value
Description:	Chute magnet with manual cleaning
Separator placement:	inside of a pipeline
Application (= the material that the application of this separator is suitable for):	bulk material
Material flow direction):	vertical, horizontal
Built-in standard magnet type:	ferrite magnet
Max. magnetic induction (G) on the surface of tube (+/- 10 %):	2700
Maximum capacity. The mentioned capacities are informative and non binding (m <sup>3</sup> /h):	150
Weight of the separator (kg):	120
Connecting dimension, inlet and outlet diameter of the separator (mm):	300
Standard connection of the separator:	standard flange, JACOB flange
Separator is suitable also even for the materials of poor bulk properties:	yes
Minimum size of the particles that can be captured by the separator (mm):	1.5
Maximum size of the particles that can be captured by the separator (mm):	30
Max. operating temperature (°C):	100
Min. surrounding ambient temperature (°C):	-25
Max. surrounding ambient temperature (°C):	45
Material of the sealing:	silicone
Separator is suitable for vacuum or pressure conveying lines:	up to 1 bar
Separator is suitable for materials transported by:	pipeline
Separator is able to capture paramagnetic particles:	no
Separator is suitable for abrasive materials (1 = strongly abrasive, 2 = slightly abrasive, 3 = non-abrasive):	2
Separator is suitable for materials that tend to solidify (the materials must be heated):	no
Separation of non-ferrous metals:	no

Cleaning of the separator:	manual cleaning (with easy cleaning system), it is necessary to interrupt the material flow during the cleaning
Material of the separator body (that is in contact with the material):	DIN 1.4301
ATEX (on request):	zone 21, 22
Outer surface treatment of the separator:	sandblasted
Inner surface treatment of the separator:	sandblasted
Magnetic system:	magnetic plate
Options of the extended anti-abrasion protection:	chemical nickel coating, plastic coating, rubberizing, ceramic lining, chromium plating
Other standard parameters:	sight glass
Other additionally paid options:	inner polishing
Max. operation time (hours/day):	24
Max. production time for a standard version (if not available in stock) (weeks):	8
Standard packing:	stretch wrap + cardboard box
Other packing modes (surcharged options):	wooden box, maritime packing according to clients needs
Warranty (months):	12

The mentioned flow capacity depends on the type of the cleaned material and is only approximative. This product can be delivered also in other dimensions, in versions with a higher temperature resistance and other kind of magnets etc. upon a special request.