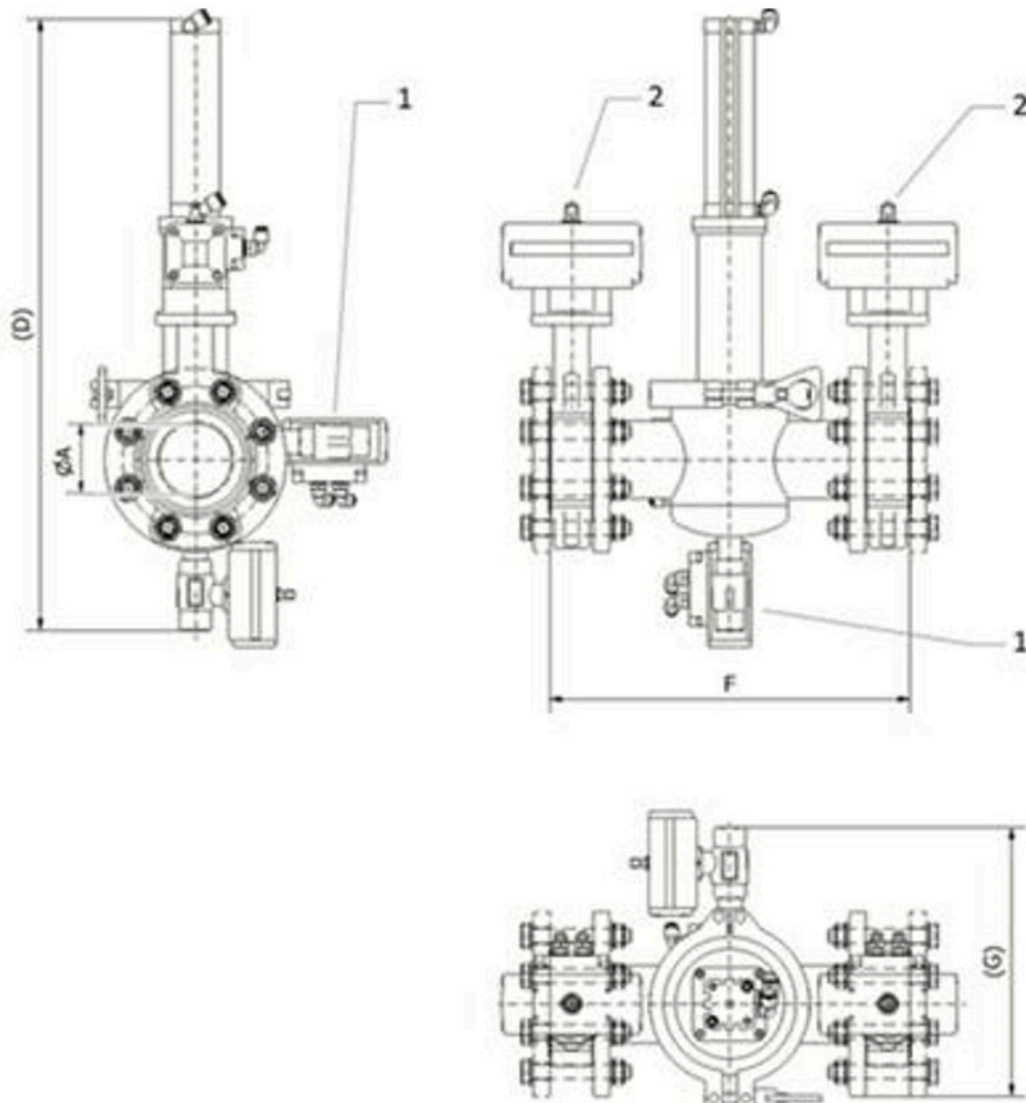


Datasheet MSP-AC EKO 50 V4 BARRACUDA



Model	Dimensions (mm)				Weight (kg)	Description	
	øA	D	F	G		1	2
MSP-AC EKO 20 V4 - BARRACUDA	20	500	350	235	35	Pneumatic ball valve	Pneumatic ball valve
						V101 DA - DN20	V101 DA - DN20
MSP-AC EKO 40 V4 - BARRACUDA	40	560	350	245	39	Pneumatic ball valve	Pneumatic flap valve
						V101 DA - DN20	TTV DA - DN40
MSP-AC EKO 50 V4 - BARRACUDA	50	590	390	250	42	Pneumatic ball valve	Pneumatic flap valve
						V101 DA - DN20	TTV DA - DN50
MSP-AC EKO 80 V4 - BARRACUDA	80	680	390	265	63	Pneumatic ball valve	Pneumatic flap valve
						V101 DA - DN20	TTV DA - DN80

MSP-AC EKO 100 V4 - BARRACUDA	100	810	390	275	76	Pneumatic ball valve	Pneumatic flap valve
						V101 DA - DN20	TTV DA - DN100
MSP-AC EKO 125 V4 - BARRACUDA	125	895	460	290	92	Pneumatic ball valve	Pneumatic flap valve
						V101 DA - DN20	TTV DA - DN125
MSP-AC EKO 150 V4 - BARRACUDA	150	980	560	310	104	Pneumatic ball valve	Pneumatic flap valve
						V101 DA - DN20	TTV DA - DN150

Parameter name	Value
Description:	Self-cleaning pipeline magnetic separator (four-valve version)
Separator placement:	inside of a pipeline,
Application (= the material that the application of this separator is suitable for):	liquid material
Material flow direction):	horizontal
Built-in standard magnet type:	neodymium magnet
Max. magnetic induction (G) on the surface of tube (+/- 10 %):	9500
Weight of the separator (kg):	42
Connecting dimension, inlet and outlet diameter of the separator (mm):	50
Standard connection of the separator:	standard flange
Separator is suitable also even for the materials of poor bulk properties:	no
Minimum size of the particles that can be captured by the separator (mm):	0.03
Maximum size of the particles that can be captured by the separator (mm):	2
Max. operating temperature (°C):	60
Min. surrounding ambient temperature (°C):	-25
Max. surrounding ambient temperature (°C):	45
Material of the sealing:	EPDM
Separator is suitable for vacuum or pressure conveying lines:	yes
Separator is suitable for materials transported by:	pipeline
Max. speed at which that the separator can capture ferrous particles (m/s):	25
Separator is able to capture paramagnetic particles:	yes

Separator is suitable for abrasive materials (1 = strongly abrasive, 2 = slightly abrasive, 3 = non-abrasive):	3
Separator is suitable for materials that tend to solidify (the materials must be heated):	no
Separation of non-ferrous metals:	no
Standard requirements for the installation:	compressed air supply (of 6 - 8 bar), water supply (3 bar), electricity supply (220 V, 50 Hz)
Cleaning of the separator:	automatic cleaning, but it is necessary to interrupt the material flow during the cleaning
Diameter of the outer (protective) tube of the magnetic rod (mm):	68
Number of magnetic tubes:	1
System tube in tube:	no
Material of the separator body (that is in contact with the material):	DIN 1.4301
ATEX (paid option):	zone 21, 22
Outer surface treatment of the separator:	sandblasted
Inner surface treatment of the separator:	sandblasted
Magnetic system:	magnetic tube
Degree of motor protection (against dust and water):	IP55
Standard electrical equipment of the separator:	external electric cable with a plug, no frequency convertor, no electric switchboard, pneumatic components FESTO
Other standard parameters:	control panel made by SIEMENS, colourful touch screen, warning beacon, setting of the cleaning interval, password setting, START/STOP/TEST, separator can be stopped and cleaned anytime, errors reported on LED display made by Siemens, setting of the rinsing time and rinsing intensity, setting of the drying time and drying intensity, pressure resistance up to do 6 bars (no official certificate)
Other additionally paid options:	pressure resistance above 6 bars (with an official pressure certificate), inner polishing, design for ATEX zone 20
Max. operation time (hours/day):	24
Max. production time for a standard version (if not available in stock) (weeks):	8
Standard packing:	wooden box
Other packing modes (surcharged options):	pallet, maritime packing according to clients needs

Warranty (months):	12
--------------------	----

Pneumatically cleaned separator equipped with input and output flaps and valves. There is one magnetic tube in the separator. • Standard design (without official pressure certificate): up to 6 bars • Additional charge design (with official pressure certificate): above 6 bars • Additional charge option: pressure certificate