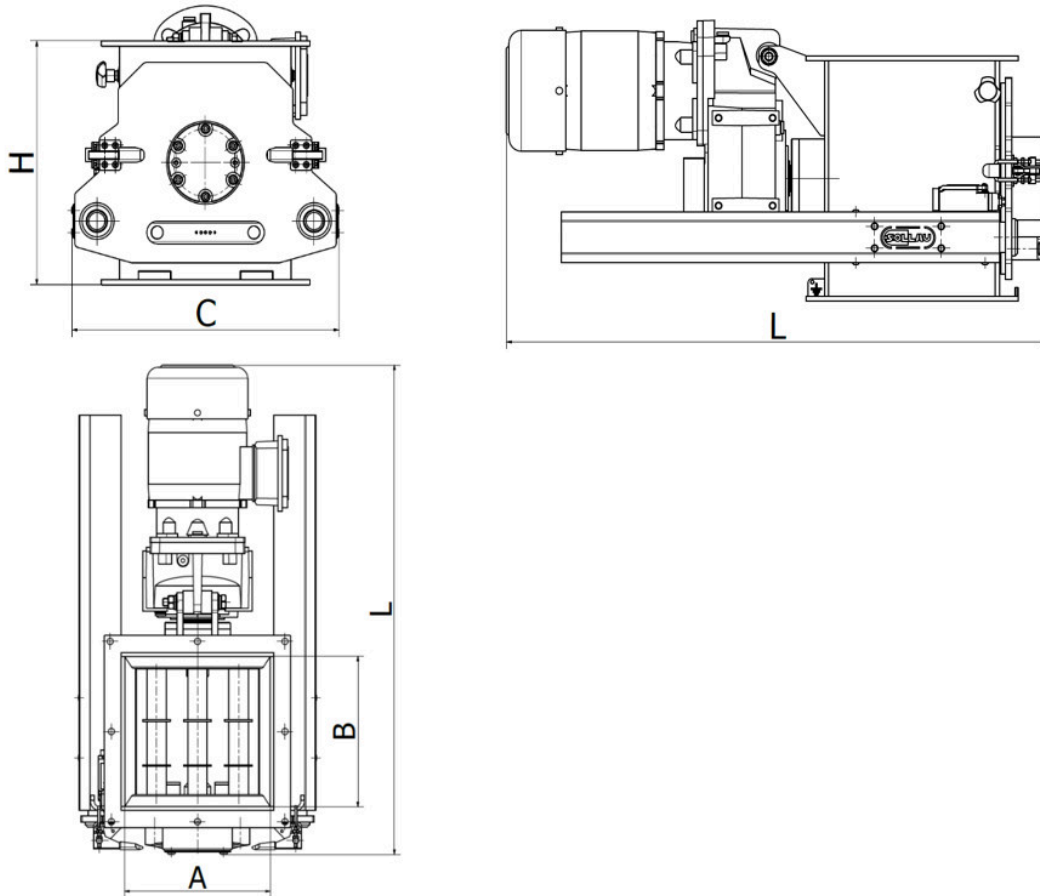


Datasheet MSR-MC 300/12 N



Model	Max. flow capacity (m ³ /h)	Weight (kg)	Dimensions (mm)					Number of tubes
			A	B	C	H	L	
MSR-MC 150 N	6	37	150	150	280	230	600	4
MSR-MC 200 N	9	49	200	200	330	280	655	6
MSR-MC 250 N	15	61	250	250	380	330	710	7
MSR-MC 300/8 N	24	82	300	300	450	400	780	8
MSR-MC 300/12 N	18	93	300	300	450	400	780	12

Parameter name	Value
Description:	Magnetic rotatory separator with manual cleaning
Separator placement:	feeding hopper, inside of a pipeline
Application (= the material that the application of this separator is suitable for):	bulk material

Material flow direction):	vertical
Built-in standard magnet type:	neodymium magnet N52
Max. magnetic induction (G) on the surface of tube (+/- 10 %):	10500
Magnetic flux (G) on the magnetic core (+/- 10 %):	13500
Maximum capacity. The mentioned capacities are informative and non binding (m ³ /h):	18
Weight of the separator (kg):	93
Connecting dimension, inlet and outlet diameter of the separator (mm):	300
Standard connection of the separator:	square flange
Separator is suitable also even for the materials of poor bulk properties:	yes
Minimum size of the particles that can be captured by the separator (mm):	0.03
Maximum size of the particles that can be captured by the separator (mm):	10
Max. operating temperature/ max. temperature of the material (°C):	60
Min. surrounding ambient temperature (°C):	-25
Max. surrounding ambient temperature (°C):	45
Material of the sealing:	microporous silicone
Separator is suitable for vacuum or pressure conveying lines:	no
Separator is suitable for materials transported by:	gravity, pipeline
Separator is able to capture paramagnetic particles:	yes
Separator is suitable for abrasive materials (1 = strongly abrasive, 2 = slightly abrasive, 3 = non-abrasive):	2
Separator is suitable for materials that tend to solidify (the materials must be heated):	no
Separation of non-ferrous metals:	no
Standard requirements for the installation:	electricity supply corresponding with the motor parameters
Cleaning of the separator:	manual cleaning (with easy cleaning system), it is necessary to interrupt the material flow during the cleaning

Diameter of the outer (protective) tube of the magnetic rod (mm):	27
Diameter of magnetic rod (mm):	25
Number of magnetic tubes:	12
System tube in tube:	yes
Material of the separator body (that is in contact with the treated material):	DIN 1.4301
ATEX (paid option):	zone 21, 22
Outer surface treatment of the separator:	sandblasted
Inner surface treatment of the separator:	sandblasted
Magnetic system:	magnetic tube
Motor brand:	Nord
Main motor input (kW):	0.25
Definition of the main motor electrical connection:	400 V, AC, 50 Hz, , PE-N, TN-C-S, circuit breaker 3F/32A
Available motor variants (the variant mentioned as the first is the standard one):	electric motor (food grade oil & grease)
Degree of motor protection against dust and water:	IP66
Rotational speed of the engine (rev/min):	28
Bearings:	SKF
Standard electrical equipment of the separator:	no external electric cable, no frequency convertor, no electric switchboard, wiring is terminated at the motor screw terminal
Options of the extended anti-abrasion protection:	chemical nickel coating, plastic coating, rubberizing, ceramic lining
Other standard parameters:	guide rods, safety sensor, integrated container for ferromagnetic particles
Other additionally paid options:	inner polishing, polished tubes, frequency convertor, blow-off unit for shaft cleaning, revolution sensor, design for ATEX zone 20
Max. operation time (hours/day):	24
Max. production time for a standard version (if not available in stock) (weeks):	8
Standard packing:	wooden box
Other packing modes (surcharged options):	maritime packing according to clients needs
Warranty (months):	12

This is a version with two magnetic rings (one internal and one external). The mentioned capacity is only approximative and depends on the type of the cleaned material. This product can be delivered also in different dimensions, in the versions with a higher temperature resistance, different magnets

etc. upon a special request. Speed of the rotation: 28 revolutions/minute.