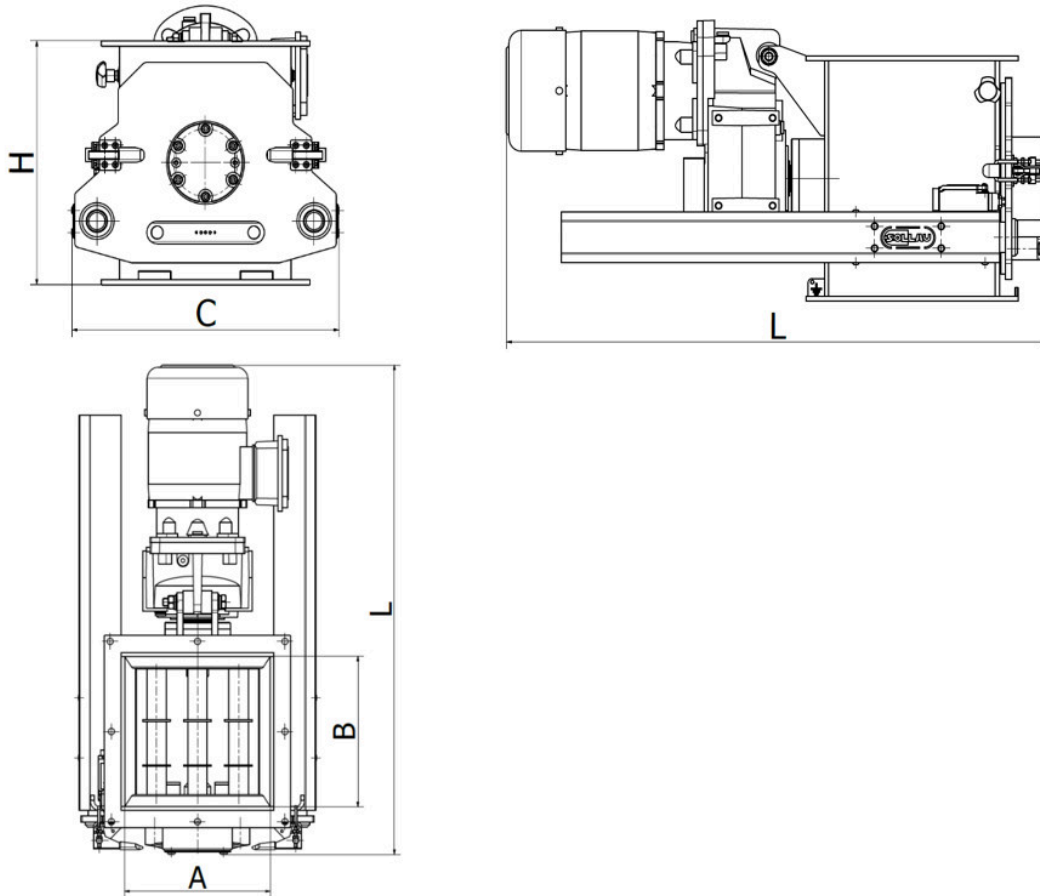


Datasheet MSR-MC 300/8 N



Model	Max. flow capacity (m ³ /h)	Weight (kg)	Dimensions (mm)					Number of tubes
			A	B	C	H	L	
MSR-MC 150 N	6	37	150	150	280	230	600	4
MSR-MC 200 N	9	49	200	200	330	280	655	6
MSR-MC 250 N	15	61	250	250	380	330	710	7
MSR-MC 300/8 N	24	82	300	300	450	400	780	8
MSR-MC 300/12 N	18	93	300	300	450	400	780	12

Parameter name	Value
Description:	Magnetic rotatory separator with manual cleaning
Separator placement:	feeding hopper, inside of a pipeline
Application (= the material that the application of this separator is suitable for):	bulk material

Material flow direction):	vertical
Built-in standard magnet type:	neodymium magnet N52
Max. magnetic induction (G) on the surface of tube (+/- 10 %):	10500
Magnetic flux (G) on the magnetic core (+/- 10 %):	13500
Maximum capacity. The mentioned capacities are informative and non binding (m ³ /h):	24
Weight of the separator (kg):	82
Connecting dimension, inlet and outlet diameter of the separator (mm):	300
Standard connection of the separator:	square flange
Separator is suitable also even for the materials of poor bulk properties:	yes
Minimum size of the particles that can be captured by the separator (mm):	0.03
Maximum size of the particles that can be captured by the separator (mm):	10
Max. operating temperature/ max. temperature of the material (°C):	60
Min. surrounding ambient temperature (°C):	-25
Max. surrounding ambient temperature (°C):	45
Material of the sealing:	microporous silicone
Separator is suitable for vacuum or pressure conveying lines:	no
Separator is suitable for materials transported by:	gravity, pipeline
Separator is able to capture paramagnetic particles:	yes
Separator is suitable for abrasive materials (1 = strongly abrasive, 2 = slightly abrasive, 3 = non-abrasive):	2
Separator is suitable for materials that tend to solidify (the materials must be heated):	no
Separation of non-ferrous metals:	no
Standard requirements for the installation:	electricity supply corresponding with the motor parameters
Cleaning of the separator:	manual cleaning (with easy cleaning system), it is necessary to interrupt the material flow during the cleaning

Diameter of the outer (protective) tube of the magnetic rod (mm):	27
Diameter of magnetic rod (mm):	25
Number of magnetic tubes:	8
System tube in tube:	yes
Material of the separator body (that is in contact with the treated material):	DIN 1.4301
ATEX (paid option):	zone 21, 22
Outer surface treatment of the separator:	sandblasted
Inner surface treatment of the separator:	sandblasted
Magnetic system:	magnetic tube
Motor brand:	Nord
Main motor input (kW):	0.25
Definition of the main motor electrical connection:	400 V, AC, 50 Hz, , PE-N, TN-C-S, circuit breaker 3F/32A
Available motor variants (the variant mentioned as the first is the standard one):	electric motor (food grade oil & grease)
Degree of motor protection against dust and water:	IP66
Rotational speed of the engine (rev/min):	28
Bearings:	SKF
Standard electrical equipment of the separator:	no external electric cable, no frequency convertor, no electric switchboard, wiring is terminated at the motor screw terminal
Options of the extended anti-abrasion protection:	chemical nickel coating, plastic coating, rubberizing, ceramic lining
Other standard parameters:	guide rods, safety sensor, integrated container for ferromagnetic particles
Other additionally paid options:	inner polishing, polished tubes, frequency convertor, blow-off unit for shaft cleaning, revolution sensor, design for ATEX zone 20
Max. operation time (hours/day):	24
Max. production time for a standard version (if not available in stock) (weeks):	8
Standard packing:	wooden box
Other packing modes (surcharged options):	maritime packing according to clients needs
Warranty (months):	12

The mentioned capacity is only approximative and depends on the type of the cleaned material. This product can be delivered also in different dimensions, in the versions with a higher temperature resistance, different magnets etc. upon a special request. Speed of the rotation: 28

revolutions/minute.

SOLLAU s.r.o.

Hřivínův Újezd 212
763 07 Velký Ořechov
Czech Republic

Phone: +420 576 013 873
E-mail: info@sollau.cz
Web: www.sollau.cz

ID No: 29261759
VAT No: CZ29261759