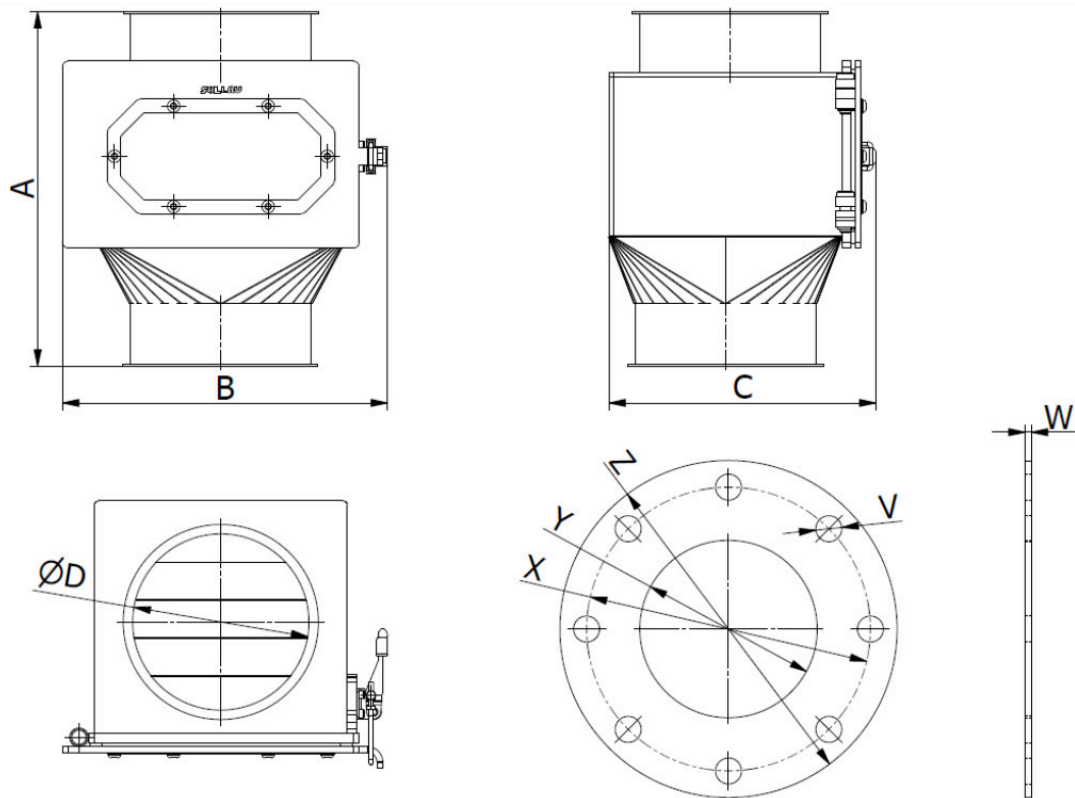


Datasheet MSS-MC 100/5 N



Models with flanges JACOB

Model	Max. flow capacity (m ³ /h)	Weight (kg)	Dimensions (mm)				Tube diameter (mm)	Distances between lower tubes (mm)	Distances between upper tubes (mm)	Distances between lower and upper tubes (mm)
			A	B	C	D				
MSS-MC 100/3 N	4	16	280	230	210	99	32	64	-	23
MSS-MC 120/3 N	4	16	280	230	210	119	32	64	-	23
MSS-MC 100/5 N	4	17	280	230	210	99	32	32	32	23
MSS-MC 150/5 N	7	20	300	275	225	149	32	32	32	23
MSS-MC 200/5 N	8	23	300	320	285	199	32	32	32	23

MSS-MC 200/7 N	8	26	300	320	285	199	32	32	32	23
MSS-MC 250/9 N	11	38	300	400	355	249	32	32	32	23
MSS-MC 300/9 N	15	40	300	410	370	299	32	32	32	23

Models with standard flanges

Model	Dimensions (mm)				
	V	W	X	Y	Z
MSS-MC 100/3 N	18	5	180	100	220
MSS-MC 125/3 N	18	5	210	125	250
MSS-MC 100/5 N	18	5	180	100	220
MSS-MC 150/5 N	22	5	240	150	285
MSS-MC 200/5 N	22	5	295	200	340
MSS-MC 200/7 N	22	5	295	200	340
MSS-MC 250/9 N	22	5	350	250	395
MSS-MC 300/9 N	22	5	400	300	445

Parameter name	Value
Description:	Magnetic grate separator in housing
Separator placement:	inside of a pipeline
Application (= the material that the application of this separator is suitable for):	bulk material
Material flow direction):	vertical
Built-in standard magnet type:	neodymium magnet N35
Max. magnetic induction (G) on the surface of tube (+/- 10 %):	10 700 G (optional variant with magnets N52: 12 200 G)
Magnetic flux (G) on the magnetic core (+/- 10 %):	17 000 G (optional variant with magnets N52: 18 700 G)
Maximum capacity. The mentioned capacities are informative and non binding (m3/h):	3,5 m3/h
Weight of the separator (kg):	17 kg
Connecting dimension, inlet and outlet diameter of the separator (mm):	DN100
Standard connection of the separator:	příruba EN 1092-1, JACOB flange
Minimum size of the particles that can be captured by the separator (mm):	0,03 mm

Max. operating temperature (°C):	80
Min. surrounding ambient temperature (°C):	-25°C
Max. surrounding ambient temperature (°C):	45°C
Material of the sealing:	silicone
Separator is able to capture paramagnetic particles:	yes
Separator is suitable for abrasive materials (1 = strongly abrasive, 2 = slightly abrasive, 3 = non-abrasive):	3
Cleaning of the separator:	manual cleaning with easy cleaning systém (it is necessary to interrupt the material flow during the cleaning)
Diameter of the outer (protective) tube of the magnetic rod (mm):	32 mm
Diameter of magnetic rod (mm):	29 mm
Number of magnetic tubes:	5
Material of the separator body (that is in contact with the material):	AISI 304 (DIN 1.4301)
ATEX (paid option):	zone 20, 21, 22
Outer surface treatment of the separator:	sandblasted
Inner surface treatment of the separator:	sandblasted
Options of the extended anti-abrasion protection:	polished, chemical nickel coating, plastic coating, rubberizing
Other standard parameters:	sight glass (mat.: PET-G)
Other additionally paid options:	complete polishing (or tube only), flap for a manual interruption of the material flow, neodymium magnets N52, magnets with higher temperature resistance
Max. operation time (hours/day):	24
Max. production time for a standard version (if not available in stock) (weeks):	6-8
Standard packing:	cardboard box
Other packing modes (surcharged options):	wooden box, pallet, maritime packing according to clients needs
Warranty (months):	12

The mentioned capacity is only approximative and depends on the type of the cleaned material. This product can be delivered also in different dimensions, in the versions with a higher temperature resistance, different magnets etc. upon a special request. The product can be equipped a flap for a manual interruption of the material flow.