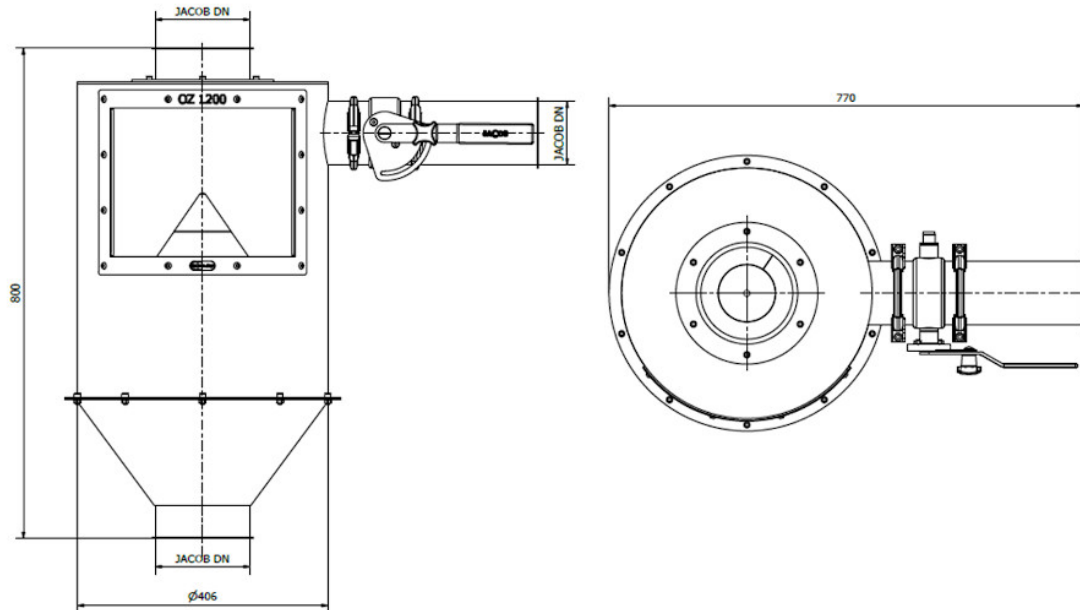


Datasheet OZ 1200



Model	Capacity (kg/h)	Recommended motor power (kW)	Minimum micron size the standard OZ can capture	Weight (kg)
OZ 1200	1200	1,1	520 - 620	30

Parameter name	Value
Description:	Dust collector
Separator placement:	feeding hopper, inside of a pipeline
Material flow direction):	vertical
Weight of the separator (kg):	30
Minimum size of the particles that can be captured by the separator (mm):	0.5
Separator is suitable for materials transported by:	gravity, pipeline
Outer surface treatment of the separator:	painted (RAL colour tone)
Inner surface treatment of the separator:	painted (RAL colour tone)
Max. operation time (hours/day):	24
Max. production time for a standard version (if not available in stock) (weeks):	8
Standard packing:	pallet + stretch wrap
Other packing modes (surcharged options):	maritime packing according to clients needs

Warranty (months):

12