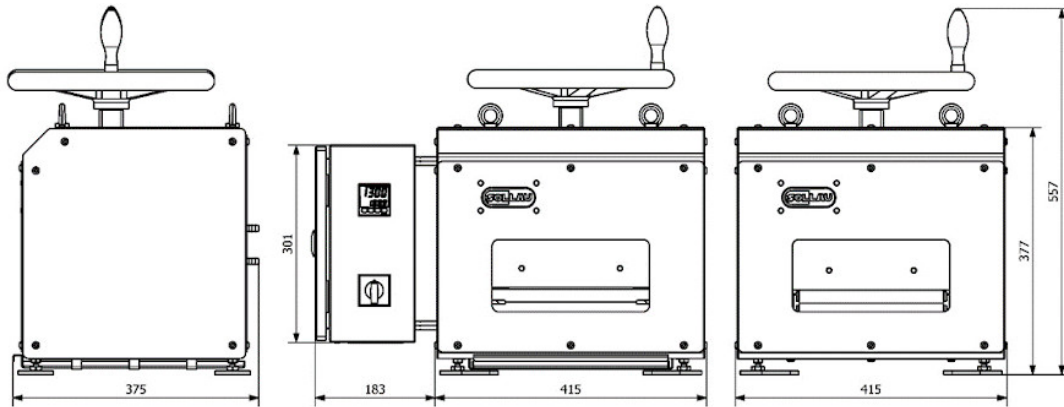


Datasheet TVL S20



Model	Dimensions (mm)		
	A	B	C
TVL S20	598	557	375
TVL S20 with cooling system	1013	557	375

Parameter name	Value
Description:	Sample mounting press
Weight of the separator (kg):	132
Max. operating temperature (°C):	400
Min. surrounding ambient temperature (°C):	-25
Max. surrounding ambient temperature (°C):	45
Standard requirements for the installation:	electricity supply corresponding with the motor parameters
Outer surface treatment of the separator:	painted (RAL colour tone)
Inner surface treatment of the separator:	painted (RAL colour tone)
Available lubrication methods for the bearings:	manual
Standard electrical equipment of the separator:	TVL S20 heating control unit
Max. operation time (hours/day):	24
Max. production time for a standard version (if not available in stock) (weeks):	8
Standard packing:	pallet + stretch wrap
Other packing modes (surcharged options):	maritime packing according to clients needs
Warranty (months):	12