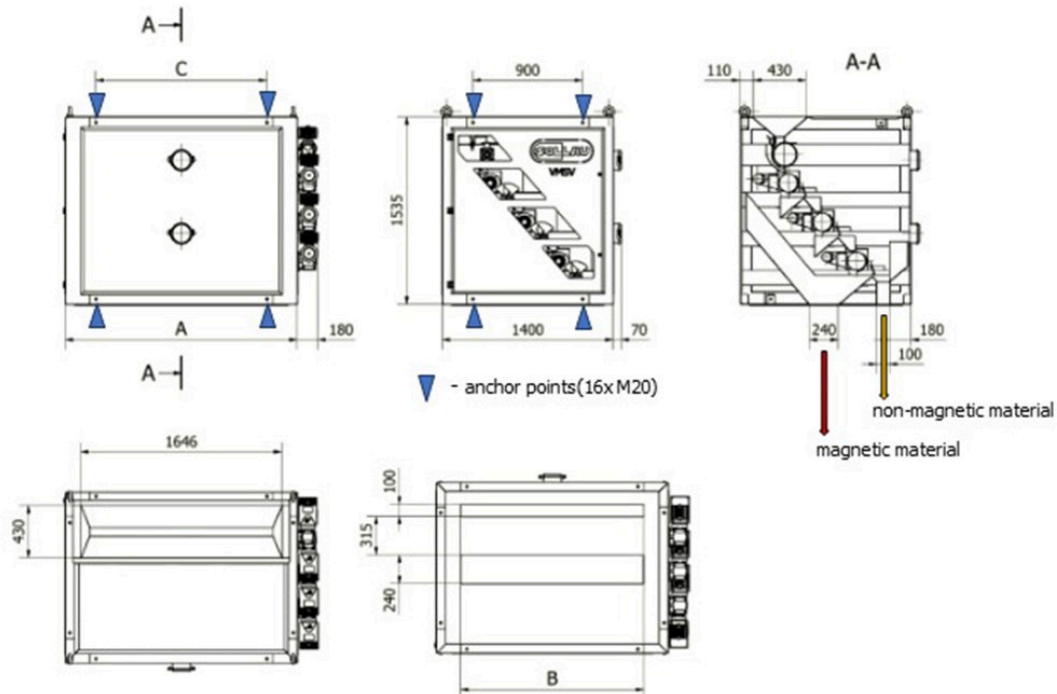


Datasheet VMSV EKO 1000 N



			Dimensions (mm)			
Model	Flow capacity (m ³ /h)	Weight (kg)	A	B	C	Magnetic roller diameter (mm)
VMSV EKO 500 N	5	700	900	500	400	150
VMSV EKO 1000 N	10	1200	1400	1000	900	150
VMSV EKO 1500 N	15	1700	1900	1500	1400	150

Parameter name	Value
Description:	Permanent multi roll magnetic separator (economical version)
Separator placement:	inside of a pipeline, connection to conveyor belt system
Material flow direction (beginning with the most common one):	vertical
Recommended for the belt of max. width (across the conveyor belt) (mm):	1000
Maximum effective reach of the magnetic field (mm):	10

Max. magnetic induction (depending on the type of the separator it is either a magnetic value on the surface of the separator or a magnetic value that is in direct contact with the treated material. Tolerance +/- 10 %):	11000
Weight of the separator (kg):	1200
Connecting dimension, inlet and outlet diameter of the separator (mm):	1000
Application (= the material that the application of this separator is suitable for):	bulk material
Separator is suitable also even for the materials of poor bulk properties:	yes
Minimum size of the particles that can be captured by the separator (mm):	0.03
Maximum size of the particles that can be captured by the separator (mm):	10
Separator is suitable for vacuum or pressure conveying lines:	no
Separator is suitable for materials transported by:	gravity, pipeline, conveyor belt
Max. speed at which that the separator can capture ferrous particles (m/s):	1.5
Separator is able to capture paramagnetic particles:	yes
Separator is suitable for abrasive materials (1 = strongly abrasive, 2 = slightly abrasive, 3 = non-abrasive):	1
Separator is suitable for materials that tend to solidify (the materials must be heated):	no
Separation of non-ferrous metals:	no
Standard requirements for the installation:	electricity supply corresponding with the motor parameters
Cleaning of the separator:	fully automatic cleaning, it is not necessary to interrupt the material flow during the cleaning
Max. operating temperature/ max. temperature of the material (°C):	60
Min. surrounding ambient temperature (°C):	-25
Max. surrounding ambient temperature (°C):	45
Built-in standard magnet type:	neodymium magnet
Material of the sealing:	silicone
Number of magnetic rolls (it concerns multi rolls magnetic separators only):	3

Maximum capacity. The mentioned capacities are informative and non binding (m3/h):	10
Material of the separator body (that is in contact with the treated material):	ocel 11523
ATEX:	zone 21, 22
Outer surface treatment of the separator:	painted (RAL colour tone)
Inner surface treatment of the separator:	painted (RAL colour tone)
Magnetic system:	magnetic roller
Motor brand:	Nord
Definition of the main motor electrical connection:	400 V, AC, 50 Hz, , PE-N, TN-C-S, circuit breaker 3F/32A
Available motor variants (the variant mentioned as the first is the standard one):	elektromoto
Degree of motor protection against dust and water:	IP55
Connection possibilities of the separator (the variant mentioned as the first is the standard one):	square flange
Type of the separator belt:	skloteflon
Bearings:	SNR
Available lubrication methods for the bearings:	manual
Standard electrical equipment of the separator:	external electric cable with a plug, dust suction opening, frequency converter, SIEMENS control system
Other standard parameters:	switchboard, colourful touch screen, external warning beacon, setting the password, START/STOP/TEST, errors reported on LED display made by Siemens, magnets N52, radial poles, dust extraction opening
Other additionally paid options (beside the already mentioned options referring to the anti-abrasion protection, motor and connection types):	vibrating feeder, electric switchboard, exhausting appliance, various kinds of conveyor belts (according to the needed application), design for ATEX zone 20
Max. operation time (hours/day):	24
Max. production time for a standard version (if not available in stock) (weeks):	8
Standard packing:	pallet + stretch wrap
Other packing modes (surcharged options):	maritime packing according to clients needs
Warranty (months):	12

This separator is always made according to special clients needs and that is why VMSV EKO 1000 is to be taken only as an example of one of various possible variants of this separator. This product can be delivered also in different dimensions, in the versions with a higher temperature resistance, different

magnets etc. upon a special request. The mentioned capacity is only approximative and depends on the type of the cleaned material.